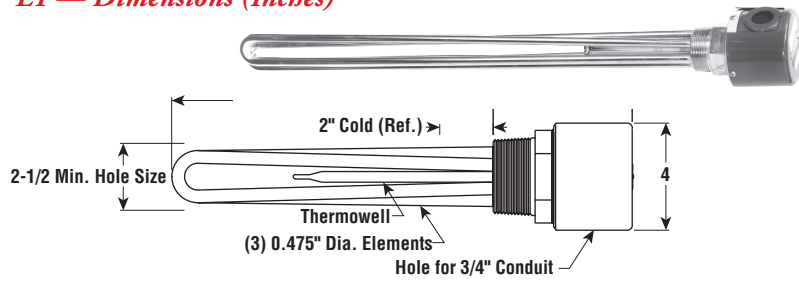


# Immersion

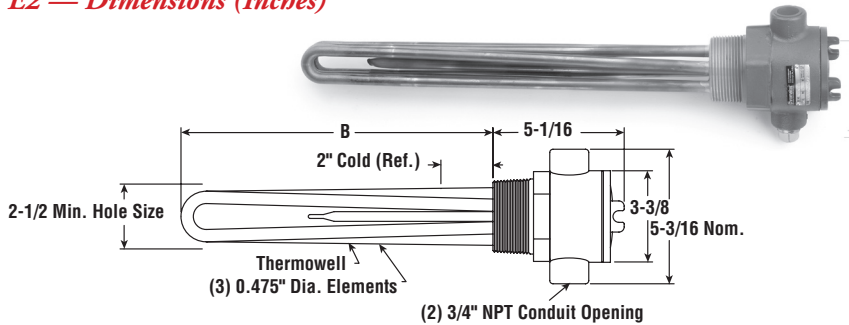
## MTS-3 Process Water Applications (cont'd.)

- 2-1/2" NPT Stainless Steel Passivated Screw Plug
- Stainless Steel Passivated Sheath Elements
- High Watt Density (46 - 53 W/In<sup>2</sup>)
- 3 - 18 kW
- Without Thermostat
- 120, 208, 240 and 480 Volt, 1 & 3 Phase
- General Purpose, Moisture Resistant/Explosion Resistant Terminal Enclosure or Moisture Resistant

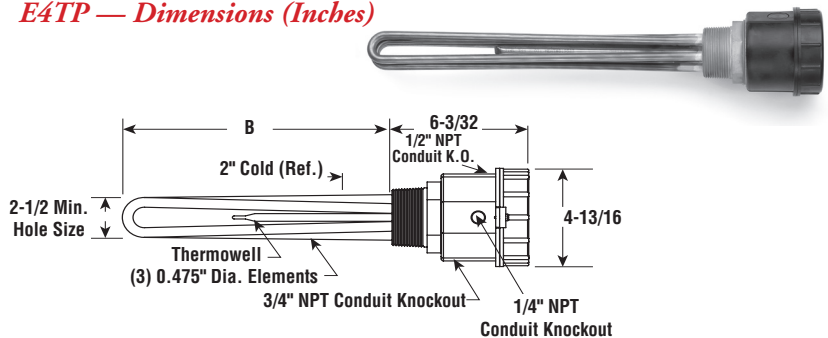
### E1 — Dimensions (Inches)



### E2 — Dimensions (Inches)



### E4TP — Dimensions (Inches)



SCREW PLUG

### Specifications and Ordering Information

							E1 General Purpose <sup>1</sup>				E2 Moisture Resistant/ Explosion Resistant <sup>2</sup>				E4 Moisture Resistant			
kW	Volts	Phase	W/In <sup>2</sup>	No. Elem.	DIM B (In.)	Model	Stock	PCN	Wt. (Lbs.)	Model	Stock	PCN	Wt. (Lbs.)	Model	Stock	PCN	Wt. (Lbs.)	
12	208	1	46	3	31-7/8	MTS-3120A*	NS	186984	9	MTS-3120E2*	NS	186992	12	MTS-3120E4TP*	NS	064910	9	
12	208	3	46	3	31-7/8	MTS-3120A	NS	187004	9	MTS-3120E2	NS	187012	12	MTS-3120E4TP	NS	064928	9	
12	240	1	46	3	31-7/8	MTS-3120A*	NS	192250	9	MTS-3120E2*	NS	290001	12	MTS-3120E4TP*	NS	064936	9	
12	480	1	46	3	31-7/8	<b>MTS-3120A</b>	<b>S</b>	<b>192284</b>	9	MTS-3120E2	NS	290010	12	MTS-3120E4TP	NS	064944	9	
12	240	3	46	3	31-7/8	MTS-3120A	NS	192268	9	MTS-3120E2	NS	290028	12	MTS-3120E4TP	NS	064952	9	
12	480	3	46	3	31-7/8	<b>MTS-3120A</b>	<b>S</b>	<b>192292</b>	9	<b>MTS-3120E2</b>	<b>S</b>	<b>290036</b>	12	MTS-3120E4TP	NS	064960	9	
15	208	1	46	3	39-3/8	MTS-3150A*	NS	187020	10	MTS-3150E2*	NS	310914	13	MTS-3150E4TP*	NS	064979	10	
15	208	3	46	3	39-3/8	MTS-3150A	NS	187047	10	MTS-3150E2	NS	187055	13	MTS-3150E4TP	NS	064987	10	
15	240	1	46	3	39-3/8	MTS-3150A*	NS	192313	10	MTS-3150E2*	NS	290044	13	MTS-3150E4TP*	NS	064995	10	
15	480	1	46	3	39-3/8	MTS-3150A	NS	192348	10	MTS-3150E2	NS	290052	13	MTS-3150E4TP	NS	065007	10	
15	240	3	46	3	39-3/8	MTS-3150A	NS	192321	10	MTS-3150E2	NS	290060	13	MTS-3150E4TP	NS	065015	10	
15	480	3	46	3	39-3/8	<b>MTS-3150A</b>	<b>S</b>	<b>192356</b>	10	<b>MTS-3150E2</b>	<b>S</b>	<b>290079</b>	13	MTS-3150E4TP	NS	065023	10	
18	208	1	51	3	46-7/8	MTS-3180A*	NS	187063	12	MTS-3180E2*	NS	310930	15	MTS-3180E4TP*	NS	065031	12	
18	208	3	51	3	46-7/8	MTS-3180A*	NS	187080	12	MTS-3180E2*	NS	187098	15	MTS-3180E4TP*	NS	065040	12	
18	240	1	51	3	46-7/8	MTS-3180A*	NS	192372	12	MTS-3180E2*	NS	290087	15	MTS-3180E4TP*	NS	065058	12	
18	480	1	51	3	46-7/8	MTS-3180A	NS	192401	12	MTS-3180E2	NS	290095	15	MTS-3180E4TP	NS	065066	12	
18	240	3	51	3	46-7/8	MTS-3180A	NS	192380	12	MTS-3180E2	NS	290108	15	MTS-3180E4TP	NS	065074	12	
18	480	3	51	3	46-7/8	<b>MTS-3180A</b>	<b>S</b>	<b>192410</b>	12	<b>MTS-3180E2</b>	<b>S</b>	<b>290116</b>	15	MTS-3180E4TP	NS	065082	12	

Stock Status: S = stock NS = non-stock  
To Order—Specify model, volts, phase, kW, PCN and quantity.

1. Heaters with General Purpose Enclosures are UL Listed and CSA Certified except Models with \*(Exceeds 48 Amps).
2. Heaters with Moisture Resistant/Explosion Resistant Enclosures are CSA NRTL/C Certified except Models with \*(Exceeds 48 Amps).



Same-day shipping on stock item orders received before 4 pm CST.  
3-day shipping on assembly-stock items.